



wall
meow-nted
cat
climbers



pryde™

installation manual for solid / brick wall

contents

welcome	2
important - please read	3
what's in the box set?	4
planning ahead	5
tools required.....	6
installation steps.....	7
care & maintenance	11
product registration.....	11
customer satisfaction & returns	11

welcome to your pryde

Meowdy Fellow Cat-Lover,

And congratulations on your new Pryde™ Cat Climbers. Our cat-loving team wishes you many happy moments in a home filled with harmony and playful paws.

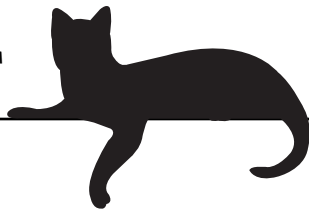
Our company's mission is to provide our customers with products that are made from high-quality materials and designed with the practical needs of cats and the aesthetic desires of cat owners in mind.

We hope you found exactly what you've been looking for, and you and your cat love it! Thank you from the bottom of our cat crazy hearts for trusting us with this investment.

For questions regarding installation, care, or anything that this manual doesn't answer, please reach out to our Customer Care team who will look after you.

Cat-ch you later!

The Team at Pryde™



Don't pussyfoot around. Reach out to us anytime!

Our social community details are:



@prydepets



@prydepets

Our contact details are:

Email: hello@prydepets.com.au

Website: www.prydepets.com.au

important - please read

- **Read all instructions and recommendations in this Installation Manual BEFORE commencing installation.**
- Installation hardware such as screws, plugs and the appropriate drill bits are NOT included, as different walls and building materials require different solutions.

We recommend you consult a professional and visit a hardware store to ensure proper fixing for your particular wall.

- To ensure your feline friend's safety we recommend planning the placement of the climbers according to the maximum placement measurements (see diagram on page 5).

Failure to do so is at your own risk.

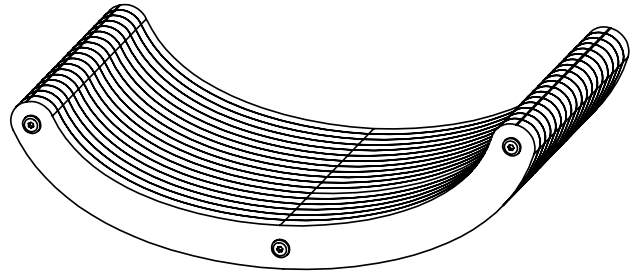
- For domestic and indoor use only.
- Please keep these installation instructions for future reference.

what's in the box set?

1 x Curved 'Nest'

Including: Metal Bracket
Felt Slices
Three bolts (inserted)

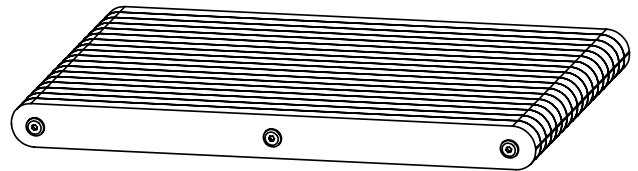
Size: W:420mm x D:221mm x H:126mm
W:16.5" x D:8.7" x H:4.9"



1 x Long 'Lounger'

Including: Metal Bracket
Felt Slices
Three bolts (inserted)

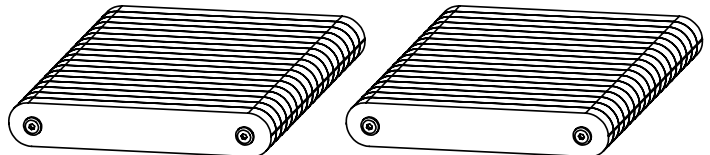
Size: W:420mm x D:221mm x H:35mm
W:16.5" x D:8.7" x H:1.4"



2 x Short 'Steps'

Including: Metal Brackets
Felt Slices
Four bolts (inserted)

Size: W:210mm x D:221mm x H:35mm
W:8.25" x D:8.7" x H:1.4"



1 x Allen Key/Hex Wrench

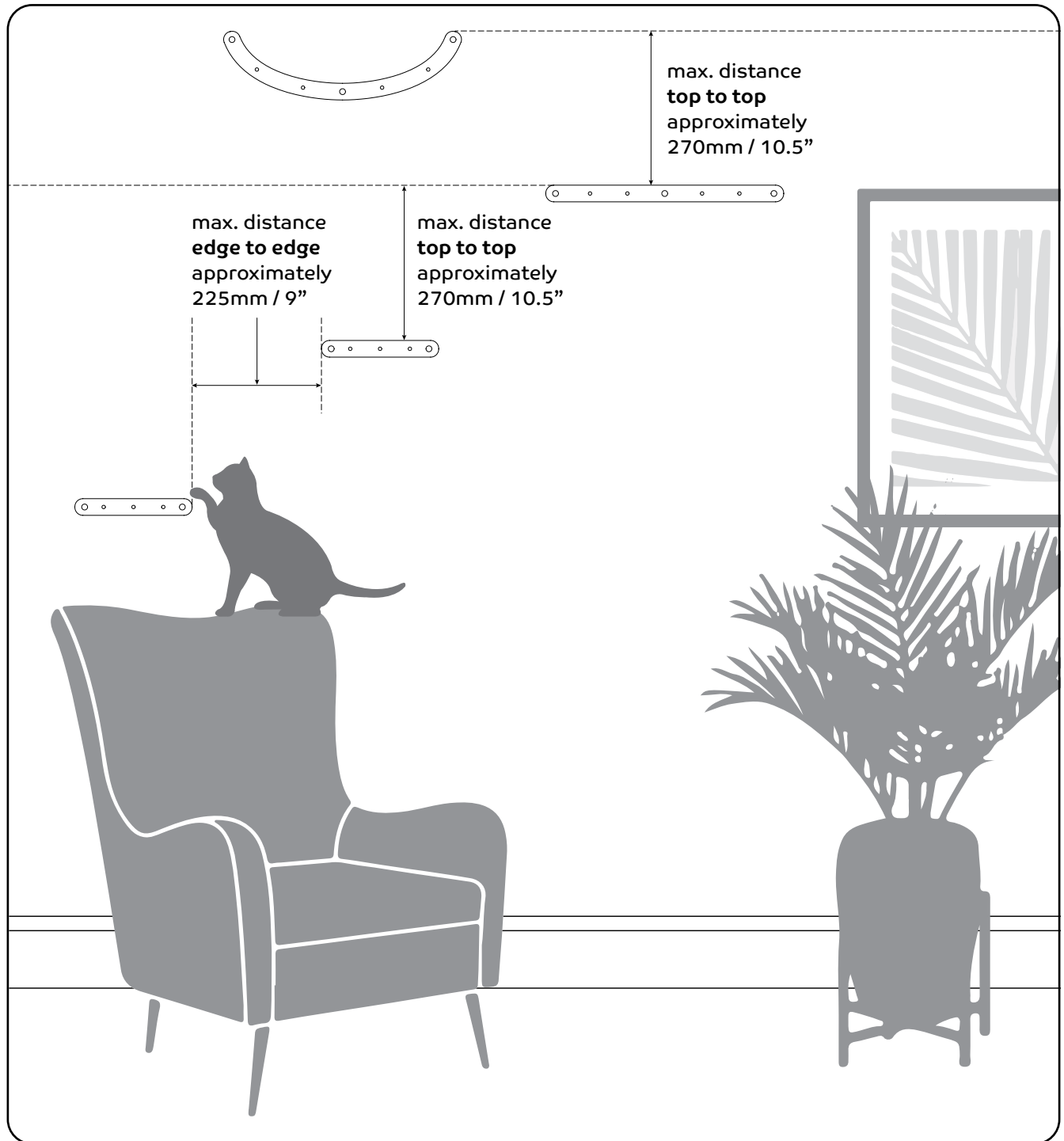


If anything is missing, please email us immediately: hello@prydepets.com.au

planning ahead

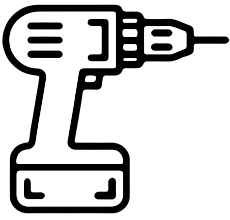
To ensure your feline friend's safety we recommend the following **maximum placement measurements** - as we're all too familiar with how energetic, powerful and a little bit crazy our cats can get, especially when the zoomies kick in after a long cat nap!

Placement near an item of furniture such as a desk, sofa or armchair allows easy accessibility.



time to get your paws on some tools!

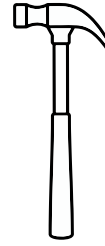
1 x power drill



1 x spirit level



1 x hammer



1 x screwdriver



disclaimer

The following hardware and installation instructions (pages 6 - 10) were used successfully during safety testing at Pryde™ headquarters. However, as different walls and building materials require different solutions, we recommend you consult a professional and visit a hardware store to ensure proper fixing for your particular wall.

14 x flat top head screws



14 x brick wall plugs



1 x masonry drill bit
1 x screwdriver bit

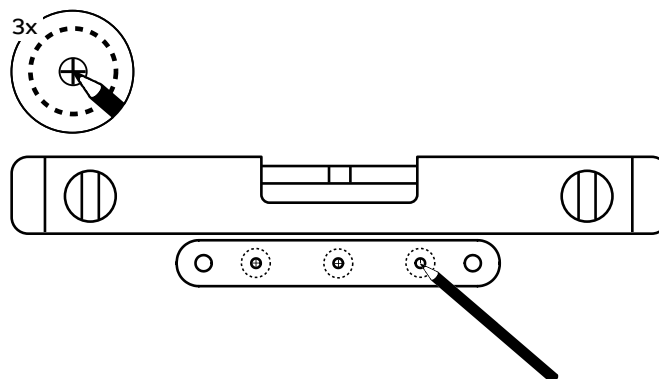
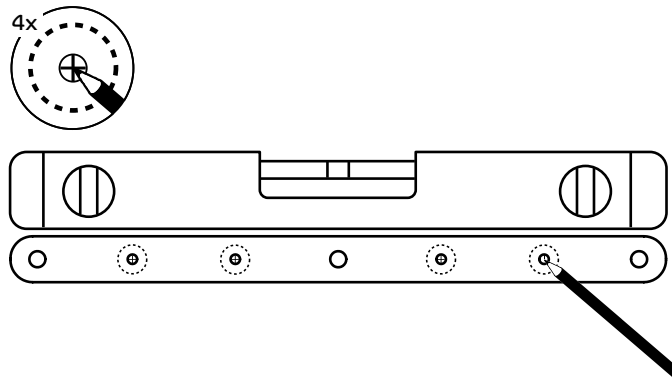
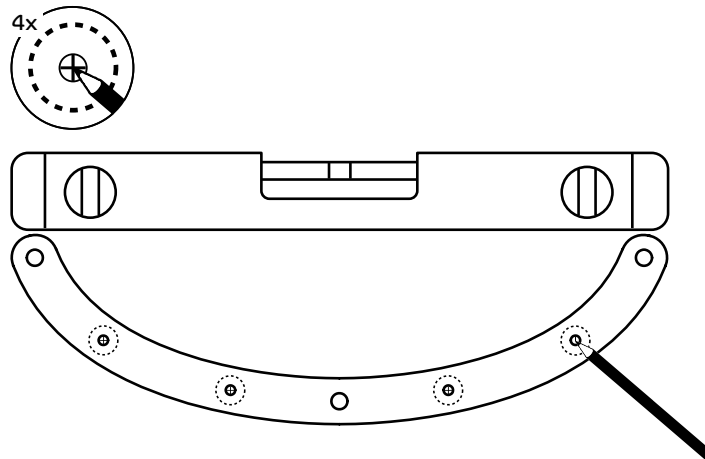


step 1

Using the included Allen Key/Hex Wrench, remove the bolts on each Climber and gently slide all the felt slices off the bracket (only remove a few slices at a time).

Hold the metal bracket straight at your desired location, checking it with a spirit level.

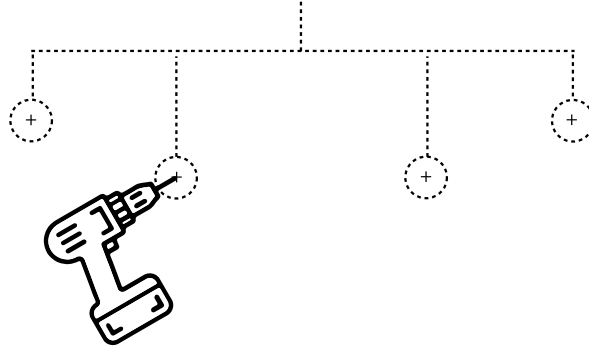
Mark the centre of each fixing hole with a pencil.



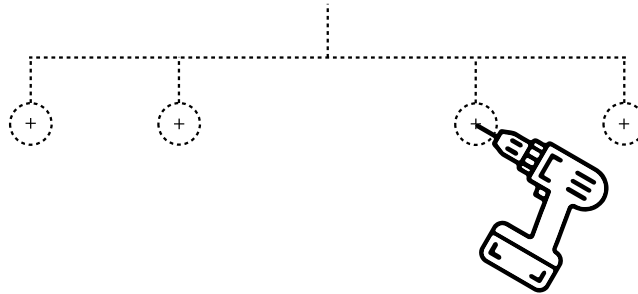
step 2

Using an appropriate sized masonry drill bit for the plugs and screws purchased, drill holes for the plugs at the marked locations.

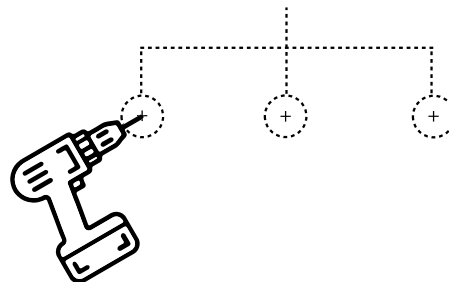
For Curved Climbers:
drill 4 holes for the plugs at the marked locations



For Long Climbers:
drill 4 holes for the plugs at the marked locations

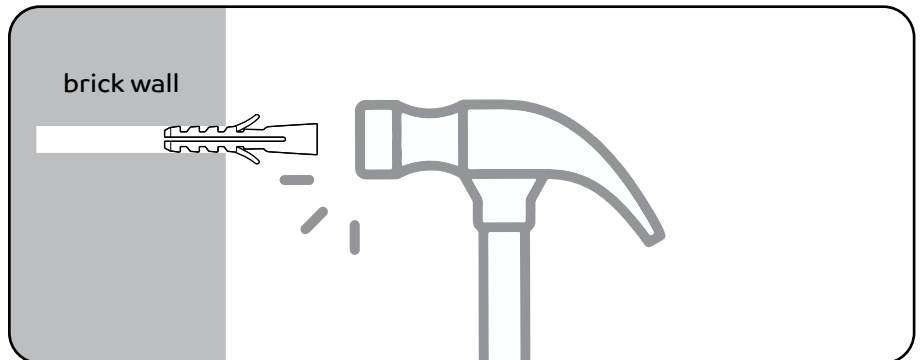


For Short Climbers:
drill 3 holes for the plugs at the marked locations

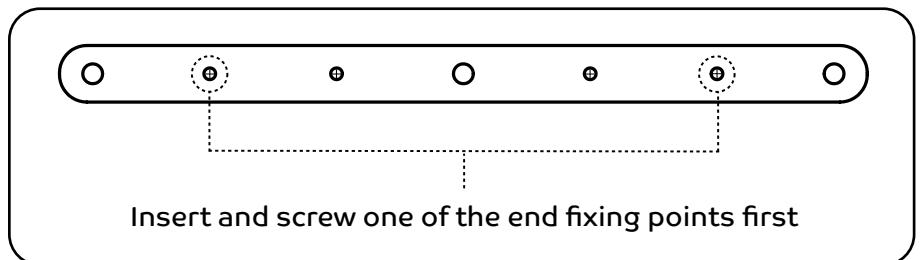


step 3

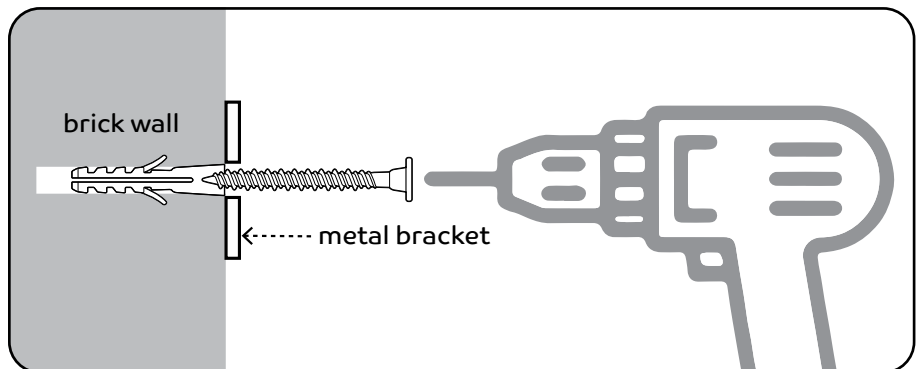
Insert and gently tap the plugs into the drill holes using a hammer.



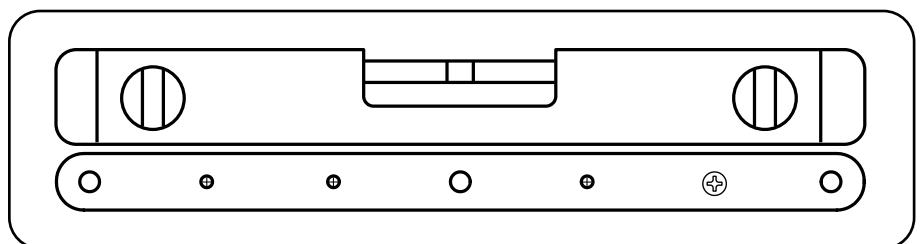
Insert first screw through one of the end fixing holes in the metal bracket.



Using a power drill, tighten the screw into the plug.



Using a spirit level, double check the metal bracket is straight before fixing the other end of the metal bracket.

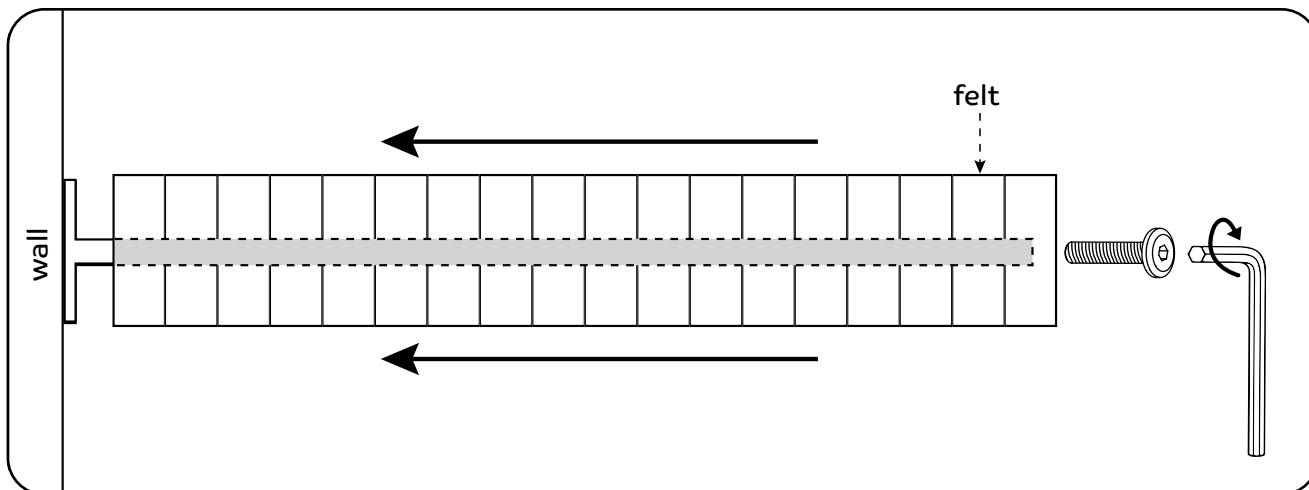


Once the two end fixing points are secured, screw the remaining inner fixing points and tighten all the screws using a power drill or screwdriver.

step 4

Once the metal bracket is fixed to the wall, slide the felt back onto the bracket prongs.

Insert the hex bolts into the ends of the prongs and use the supplied allen key / hex wrench to tighten and keep the felt in place.



step 5

Kick back and watch your feline friend enjoy their new favorite hangout!



care and maintenance

Made from PET felt. This soft, but firm material is made of 100% recycled plastic bottles, making it a highly sustainable option.

It has other big advantages, such as easy maintenance and being long-lasting.

The PET felt fabric can also be recycled and reused again.

- Spot clean with a damp cloth or soft brush.
- A mild detergent may also be used if required.
- We do not recommend submerging felt in water.

register meow!

As a valued customer, we invite you to register your product to unlock a range of benefits.

By registering, you'll be eligible for discounts on additional sets, be the first to find out about our VIP deals and extended warranty coverage.

We take your privacy seriously, and promise to keep your personal details confidential and not share them with any third parties. Simply visit our website and follow the instructions to complete your registration.

www.prydepets.com.au/register

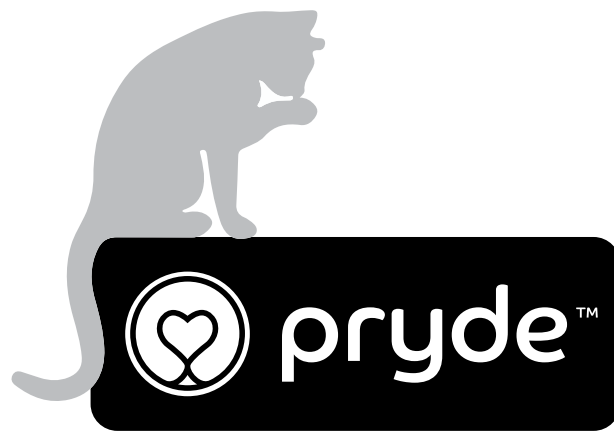
customer satisfaction & returns

If for any reason you're not completely satisfied with your purchase, please contact us.

If returning the item, please ensure that you safely pack the item into the original packaging with all included accessories e.g. bolts. Please then seal inside a secondary box for shipping. Items that arrived damaged or missing accessories may be subject to a restocking fee.

We thank you in advance for providing us the opportunity to resolve the issue for you.

Email us at: hello@prydepets.com.au



www.prydepets.com.au

WARNING: Manufacturer and seller expressly disclaim any and all liability for personal injury, property damage, or loss, whether direct, indirect or incidental, resulting from the incorrect attachment, improper use, inadequate maintenance or neglect of this product.